

## Instruction Manual

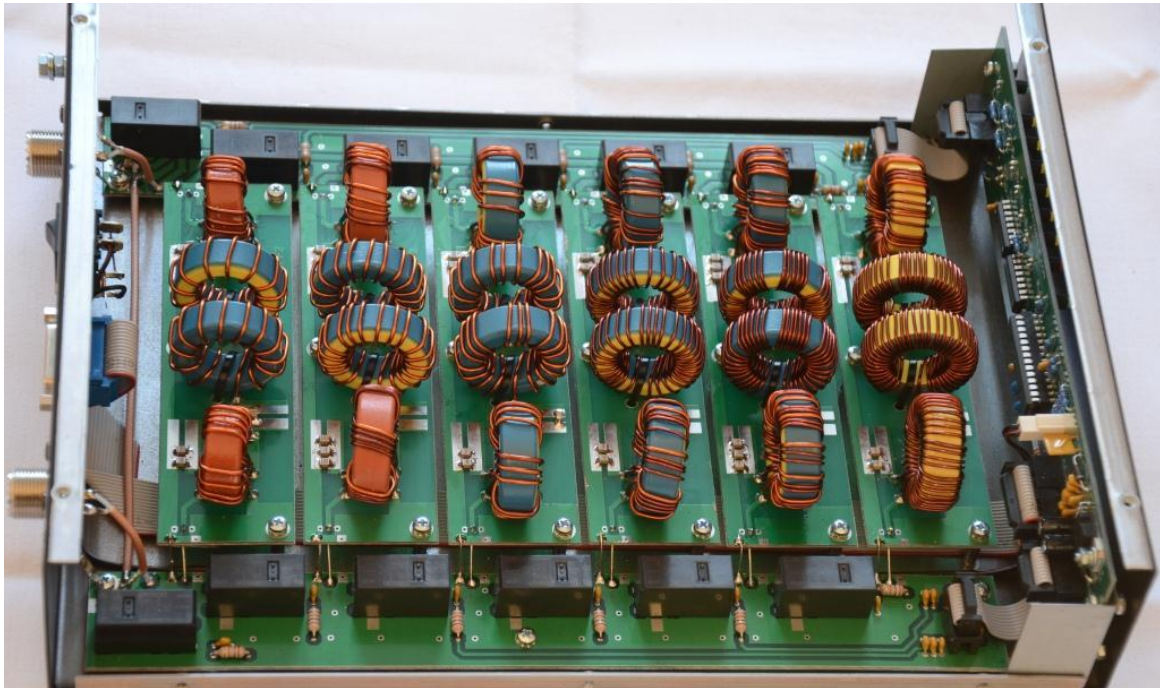


# OM6BPF

## Automatic Bandpass Filter

OM POWER, s. r. o. 930 30 Báč 126  
SLOVAKIA

## Bandpass filter OM6BPF



### OM6BPF – basic overview

OM6BPF package contains a set of band filters for 160,80,40,20,15 and 10m which are selected either automatically or manually. OM6BPF will prove its worth everywhere – where multiple stations are present on multiple bands from a single location like DX expeditions, MS/MM contest stations, SO2R stations, etc. OM6BPF protects front end of your receiver and also eliminates or reduces interferences coming from other bands

OM6BPF can be operated both manually or automatically. Manual control is done by SELECT button located on front panel. Automatical function can be achieved by following:

- Direct control using BAND DATA interface – compatible with YAESU, Elecraft K3 etc.
- Control using BAND VOLTAGE - Icom
- Control using Filter Output ports of OM2500A or OM3500A Amplifiers by OM Power
- Control using outputs of devices such as Banddecoder, Station Master (microHAM) etc.

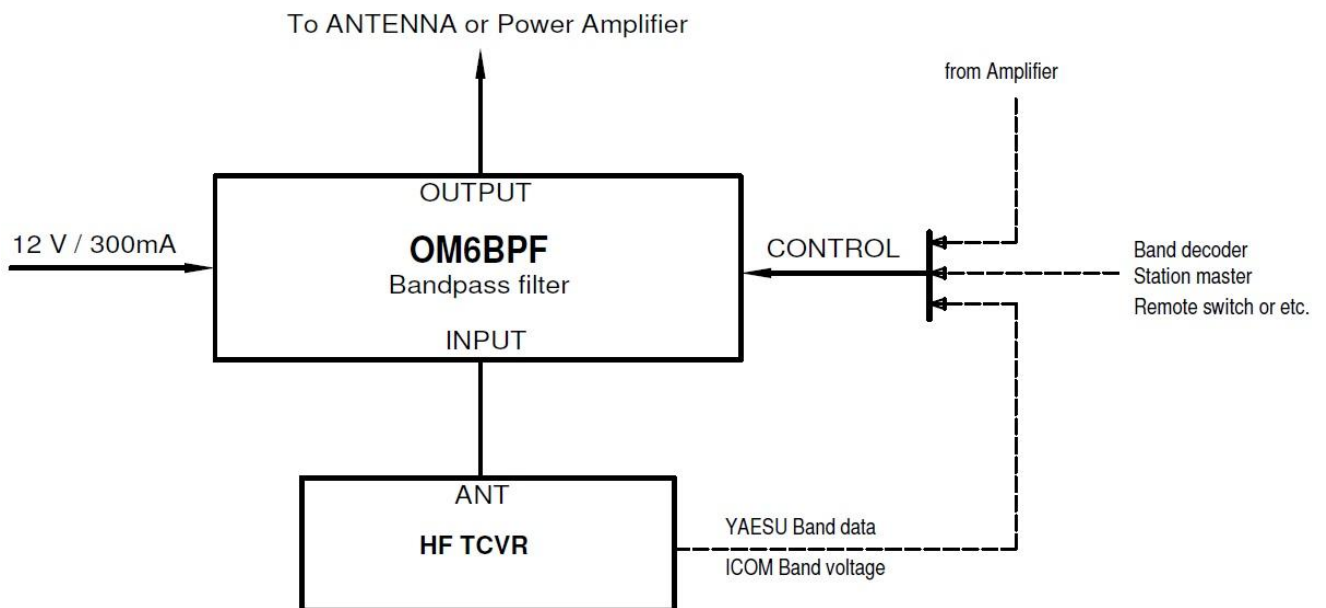
## Installation and Control



### Power source

OM6BPF is powered by voltage of 12 to 15V via 5.5/2.1mm power socket located on the back panel. The current draw is approx. 300mA. Positive voltage is connected to centre pin and negative to outer and grounded. Right above the power socket you can find the power switch. In OFF mode OM6BPF is operational in BYPASS mode (Input and Output connectors are bridged)

### OM6BPF Interconnection



OM6BPF's INPUT socket connects to your TRX using a coax cable of 50 Ohms impedance where OUTPUT sockets shall be connected to either amplifiers input or directly to a matched antenna. OM6BPF has power rating of 200W so it should be always connected between TRX and PA!

**Warning !! Connecting OM6BPF other way (behind a PA) and or exceeding power ratings of 200W will result in permanent damage which WILL NOT be covered by warranty!!**

Automatic control of OM6BPF is done via CONTROL socket located on the back panel. CONTROL socket is connected using a compatible cable to either TRX, PA or band coder etc. PIN OUTs are documented on the picture bellow.

### **How to control OM6BPF**

After completing interconnection steps and providing power check that all connections are done as per instructions and properly. AUTO LED and BAND LED will indicate that automatic selection is working and that desired BAND has been selected. Band change on your TRX should be always represented on OM6BPF with corresponding BAND LED.

In case you don't see any LED activity noted in previous paragraph after providing power, OM6BPF will stay in BYPASS mode which is also indicated by BYPASS LED.

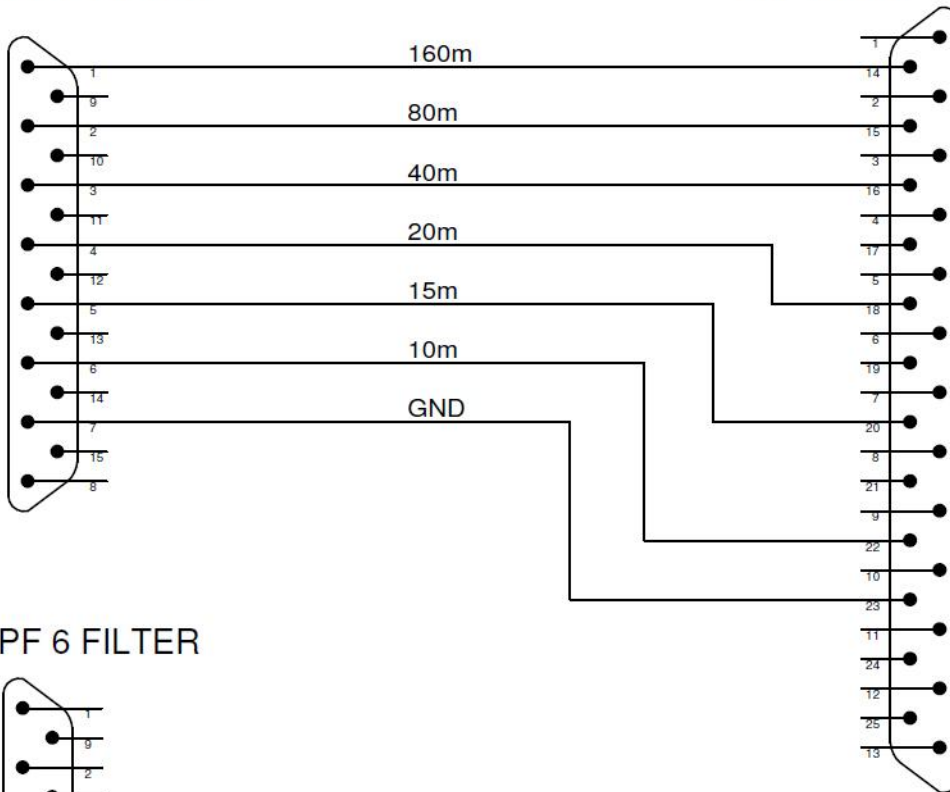
If manual control is desired SELECT button shall be pressed for approx two seconds till SELECT LED is lid. Then simple pressing of SELECT button results in BAND CHANGE which will be also represented by correct LEDs (160, 10, BYPASS etc.)

You can always select AUTO or MANUAL mode regardless of band data being present and detected by OM6BPF. This is done in the same way as above, just press SELECT for two seconds until SELECT LED is lid. For return to AUTO mode do the same, press SELECT for two seconds until OM6BPF indicates it is back in AUTO mode indicated by AUTO LED being lid.

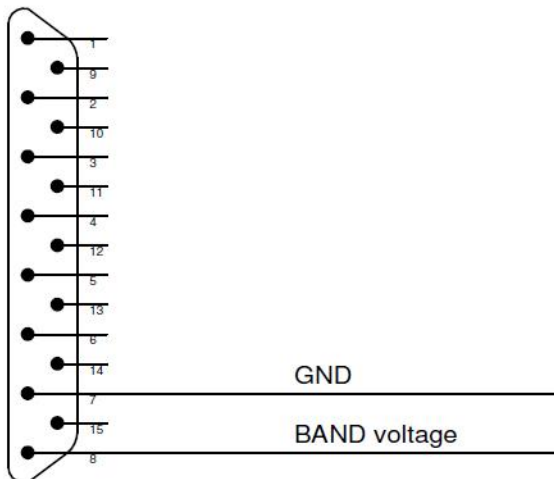
**Warning !! When operating in manual mode make sure the correct band is selected. Transmitting with wrong filter selection can result in permanent filter damage and WILL NOT be covered by warranty!!**

BPF 6 FILTER

OM 3500A

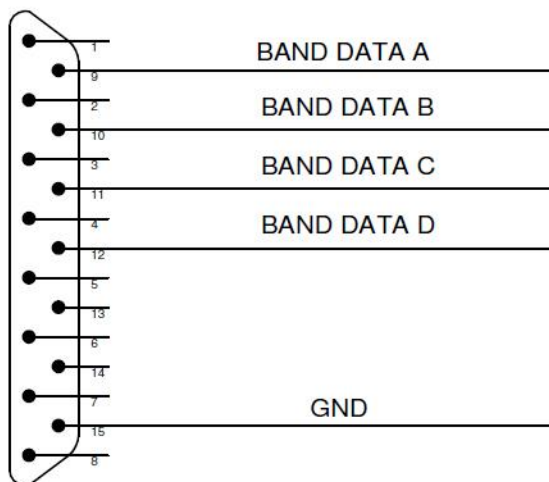


BPF 6 FILTER



ICOM ACC conector

BPF 6 FILTER



YAESU BAND DATA conector

Elecraft K3 ACC conector

BPF 6 filter conection

**In case your OM6BPF is not working correctly, please contact the manufacturer or your distributor,**

**Manufacturer's contacts: OM POWER,s.r.o., 93030 Báč 126, SLOVAKIA**

**e-mail: [om-power@om-power.com](mailto:om-power@om-power.com)**